

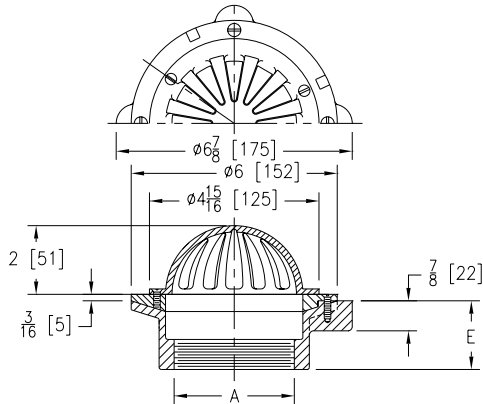
Z181 6" DIAMETER CORNICE DRAIN WITH BOTTOM OUTLET



ENGINEERING SPECIFICATION

Zurn ZRB181 6" diameter by 2" high cornice drain features Dura-Coated cast iron body, plain bronze dome, and membrane flashing clamp.

A Pipe Size inches [mm]	Dome Open Area sq in [cm ²]	Approximate Weight lb [kg]
3 [76]	11 [71]	6 [3]
4 [102]		7 [3]



PREFIXES	DESCRIPTION	PIPE SIZE	LIST PRICE
ZRB181*	D.C.C.I. Body with Plain Bronze Dome	3"	791.00
		4"	1,108.00
ZN181	D.C.C.I. Body with Polished Nickel Bronze Dome	3"	994.00
		4"	1,313.00

OUTLETS (SPECIFY PIPE SIZE IN INCHES AND TYPE OF OUTLET)				
OUTLET TYPE	OUTLET DESIGNATION (PIPE SIZE/OUTLET TYPE)	E BODY HT. DIM.	ADD	
IP	Threaded	3IP, 4IP	2"	N/C
NH	No-Hub (IP w/Z1040)	3NH, 4NH	4-1/2"	N/C

SUFFIXES			ADD
-BS	Bronze Mesh Screen Over Dome		527.00
-C	Underdeck Clamp		150.00
-FS	Flat Strainer (ZN)		N/C
-G	Galvanized Cast Iron		168.00
-HD	5-3/4" High Dome	ZRB	84.00
		ZN	109.00
-R	Roof Sump Receiver		257.00
-SS	Stainless Steel Mesh Screen Over Dome		527.00
-VP	Vandal-Proof Secured Top		58.00

BEST SELLERS		LIST PRICE
ZN181-4IP-FS		1,313.00
ZN181-4NH-HD-SS		1,949.00

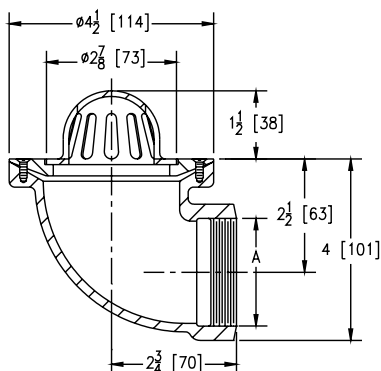
Z182 4-1/2" DIAMETER CORNICE DRAIN WITH 90° OUTLET



ENGINEERING SPECIFICATION

Zurn ZRB182 4-1/2" diameter cornice drain features Dura-Coated cast iron 90° side outlet body, plain bronze dome, and membrane flashing clamp.

A Pipe Size inches [mm]	Dome Open Area sq in [cm ²]	Approximate Weight lb [kg]
2 [51]	4.5 [29]	5 [2]



PREFIXES	DESCRIPTION	PIPE SIZE	LIST PRICE
ZRB182*	D.C.C.I. Body with Plain Bronze Dome	2"	531.00
ZN182	D.C.C.I. Body with Polished Nickel Bronze Dome	2"	742.00

OUTLETS (SPECIFY PIPE SIZE IN INCHES AND TYPE OF OUTLET)			
OUTLET TYPE	OUTLET DESIGNATION (PIPE SIZE/OUTLET TYPE)		ADD
IP	Threaded	2IP	N/C

SUFFIXES			ADD
-FS	Flat Strainer (ZN)		N/C
-G	Galvanized Cast Iron		168.00
-VP	Vandal-Proof Secured Top		58.00

Supplied By:



877-903-7246

www.commercialplumbingsupply.com